

# Standard Fabric Canopies

# Mendip 4P 500



An elegant fabric canopy with sweeping lines and minimal structure

## Typical Uses

- ▶ Shelter
- ▶ Point of sale
- ▶ Seating area

## Features

- ▶ Completely waterproof fabric
- ▶ Fully engineered for year-round use
- ▶ Provides UV protection
- ▶ 10 year warranty
- ▶ Colour range for steel and fabric
- ▶ Fast track lead time
- ▶ Downloadable 3D models
- ▶ Design and planning assistance



## Installation

Please contact us for a quotation.

## Foundations

We provide loading figures for your engineer to design foundations suited to local ground conditions. Typical details available on request.

## Specifications

### Fabric

PVC coated polyester with weldable PVDF lacquer. Fire rated to EN 13501-1 B-s2,d0. Design life 18-20 years. White and cream as standard.

### Cables and Tensioners

Grade 316 stainless steel.

### Columns

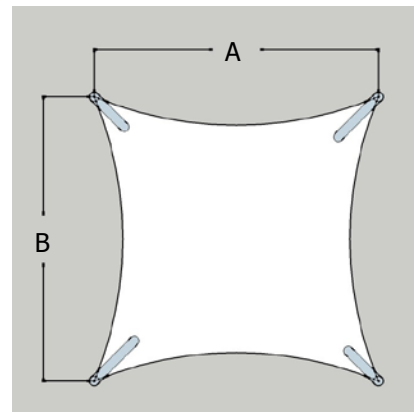
Grade S355 Mild Steel CHS. Two pack polyurethane paint system. 15 years to first maintenance. Any standard RAL colour.

### Design

Structural steelwork designed to BS 5950-1:2000 and BS EN 10025. BS 6399 part 2 and 3 for wind and snow loading.

### Dimensions (m)

Heights	H1	H2
	2.2	4.0
Plan	A	B
	5.0	5.0



To request a full specification and 3D models in AutoCAD or SketchUp format please contact us.

In line with our policy of continuous product development we reserve the right to change models, sizes, specifications and prices without prior notice. All orders placed will be for the currently available specification of the relevant item. Design rights and copyrights apply to all products shown in this product sheet. No part of this publication can be copied or reproduced in any form whatsoever without prior consent of Base Structures Ltd.